

Glees Tudor Canopy



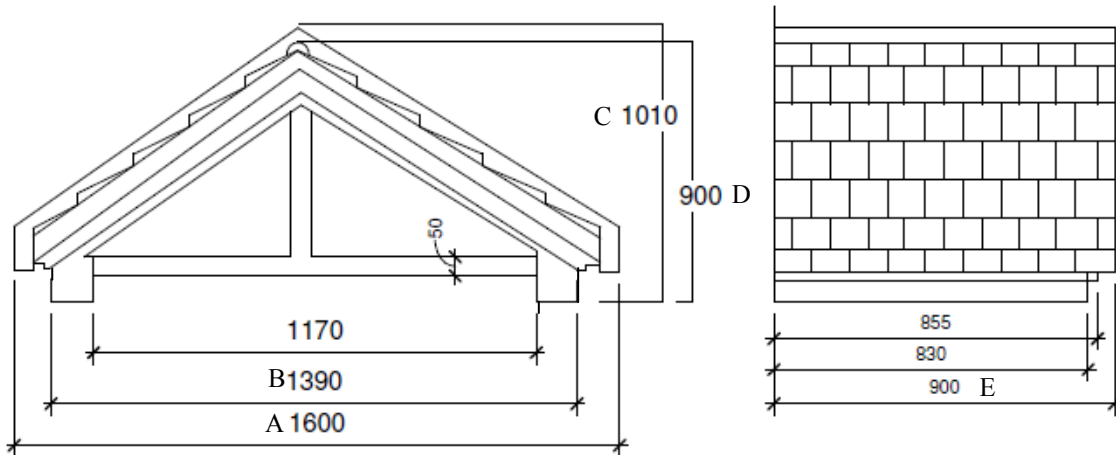
Features

- * Tile effect Roof
- * Tongue & Groove Soffit
- * Tudor Mould to Canopy Front
- * Choice of tile colour s
- * Optional leg brackets
- * Easy to fit

A very attractive canopy with a lot of detail making this a beautiful addition to any home.

The Roof is available in various browns, greys or terracotta. The front has a tongue & groove finish on the underside of the vaulted soffit

Legs are optional for this canopy (please see our website for the various styles of legs that we offer)



Dimensions

A (roof size)	B (soffit size)	C	D	E (projection)
1600mm	1390mm	1010mm	900mm	900mm